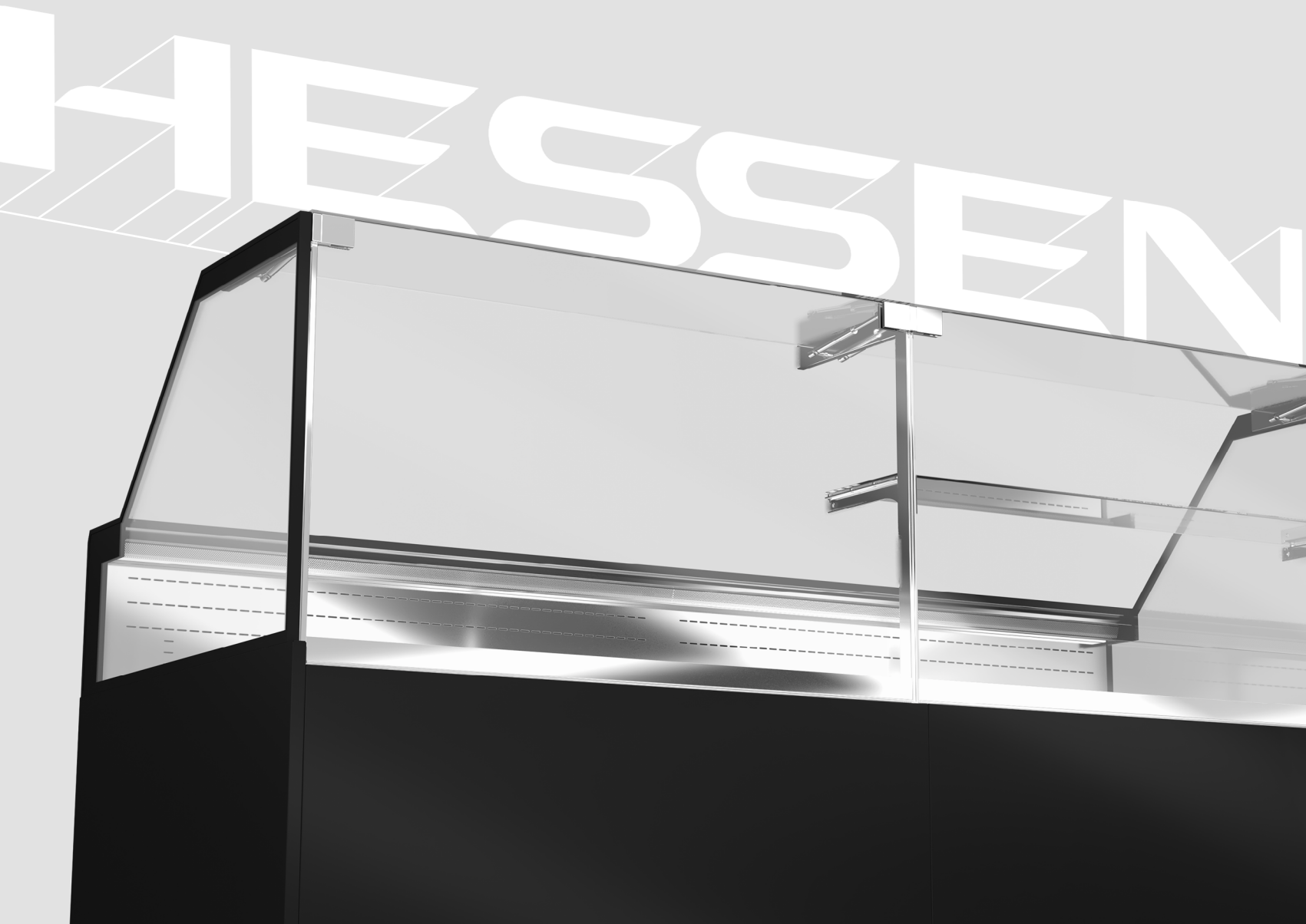


# OFFENBACH

PREMIUM QUALITY



YOUR BEST CHOICE



# OFFENBACH

- ▶ THE OFFENBACH REFRIGERATED SERVE-OVER COUNTER IS DESIGNED TO SATISFY THE NEEDS OF ASSISTED SALES.
- ▶ MAINTAIN THE RIGHT TEMPERATURE AT ALL TIMES AND ENSURE TOTAL HIGIENE THANKS TO STAINLESS STEEL BOTTOMS.
- ▶ AVAILABLE IN SELF-SERVICE, SERVE-OVER, TOWER AN HOT-CASE.
- ▶ COMPLETELY CUSTOMISABLE THANKS TO A WIDE RANGE OF COVERINGS AND FINISHES.

1 LIGHTWEIGHT SUPERSTRUCTURE WITH OPENING MECHANISM AND MINIATURISED LED CEILING LIGHT.

2 STAINLESS STEEL BOTTOMS



## OFFENBACH

- RAL 9005
- RAL 9016

3 CUSTOMISABLE FRONT MASK

4 GLASS SIDE PANELS



4



HESSEN®

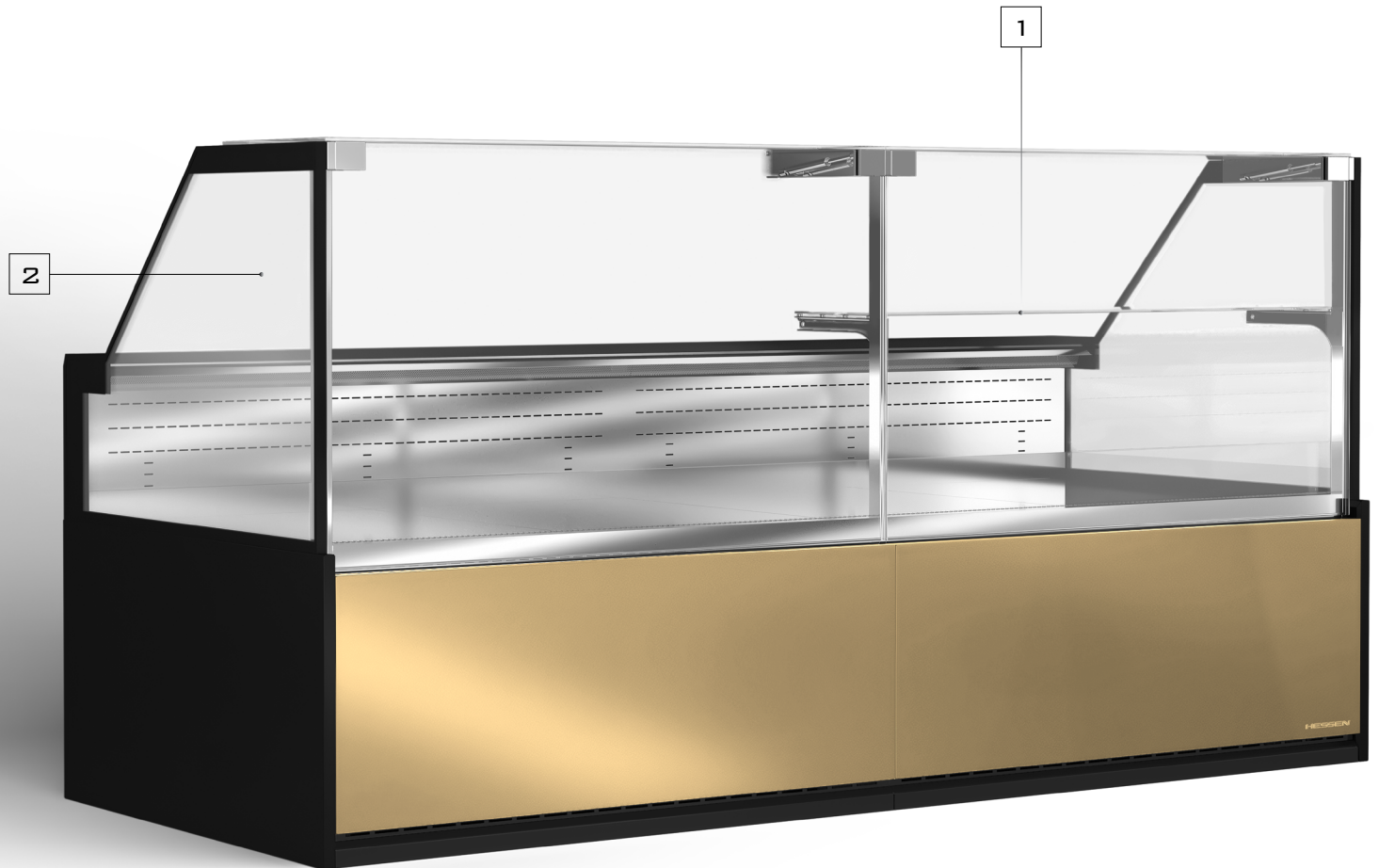
1 GLASS SHELF OPTIONAL

2 GLASS SIDE PANELS

## OFFENBACH

---

 RAL 1016  
 RAL 9005



3

SCALL MACHINE CARRIER

4

KNIFE HOLDER

5

STORAGE FOR GOODS

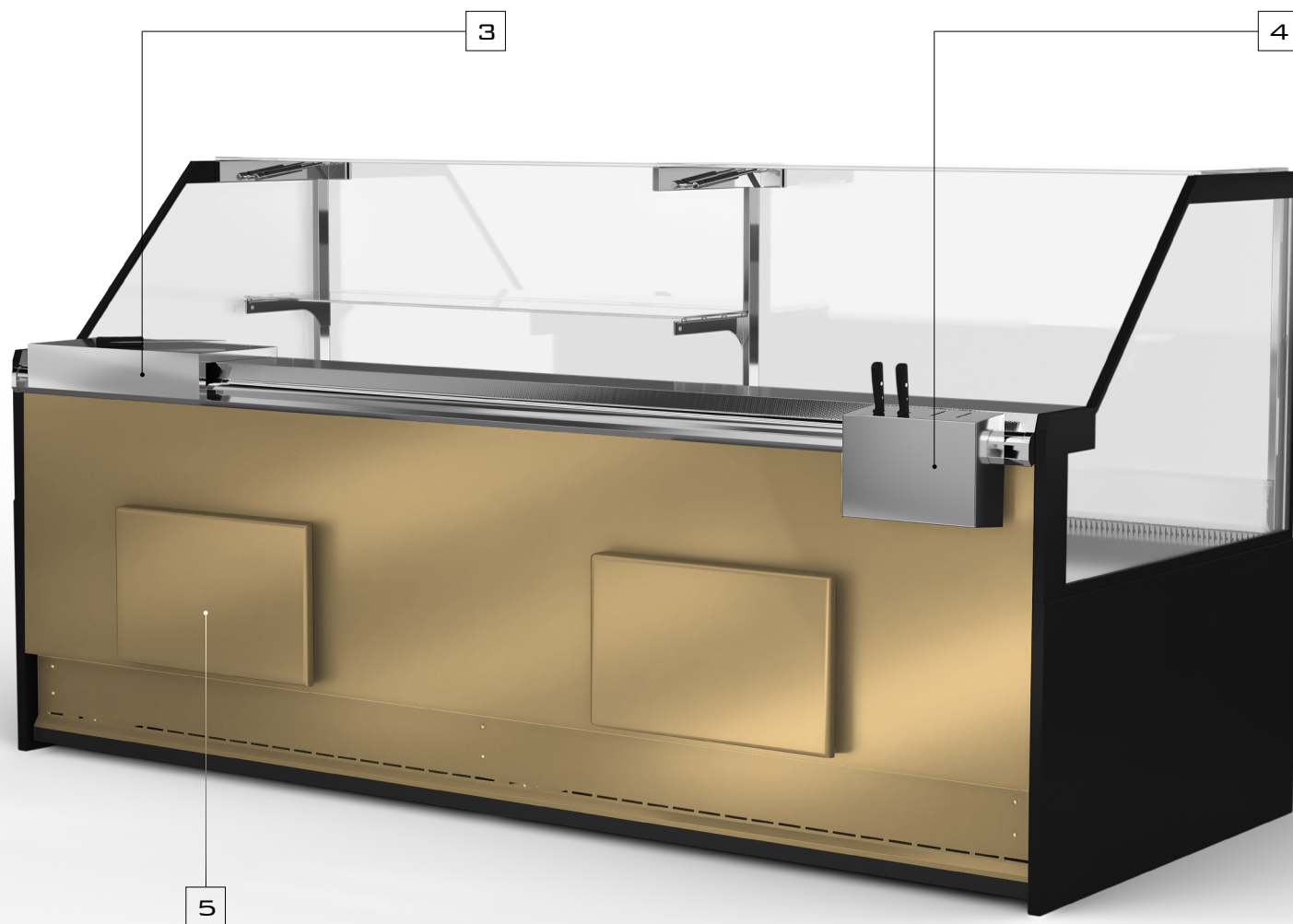
OFFENBACH



RAL 9006



RAL 9005



HESSSEN®

# OFFENBACH



## OFFENBACH



RAL 9010

RAL 9006

1

MAXIMUM HEIGHT FOR GLASS, MAXIMUM  
VISIBILITY

2

PINK LIGHT FOR FRESH MEAT



**HESSEN®**

# OFFENBACH

PREMIUM QUALITY



OFFENBACH



RAL 6011



RAL 9005





**HESSEN®**

LENGTH WITHOUT SIDE PANELS (MM)

HIGHT (MM)

PRESERVATION -1/+1

TEMPERATURE (°C) 0/+2

+2/+4

+4/+6

DEPTH (MM) 1065

850

ENERGY CLASS\*\*

1250

1300

•

•

•

•

•

•

A  
t  
B

1875

1300

•

•

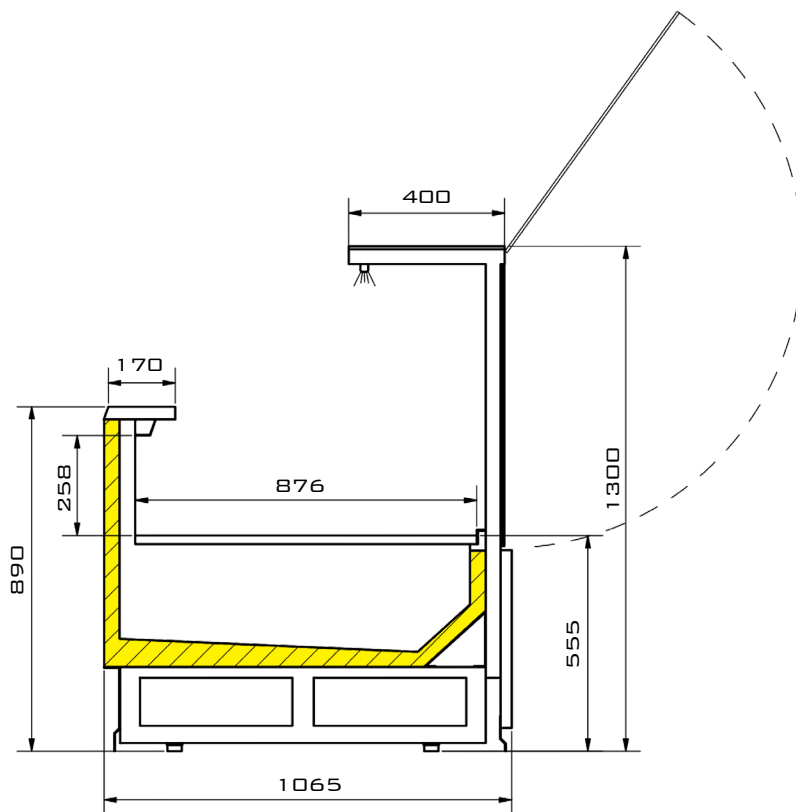
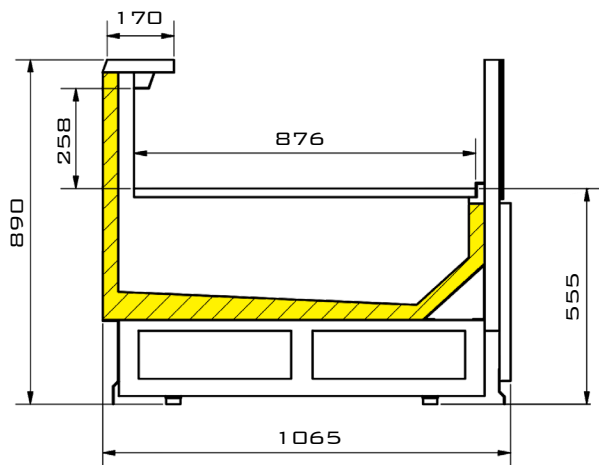
•

•

•

•

A  
t  
B



2500

1300

•  
•  
•  
•  
•  
•

A ↑  
G ↓  
B

3125

1300

•  
•  
•  
•  
•  
•

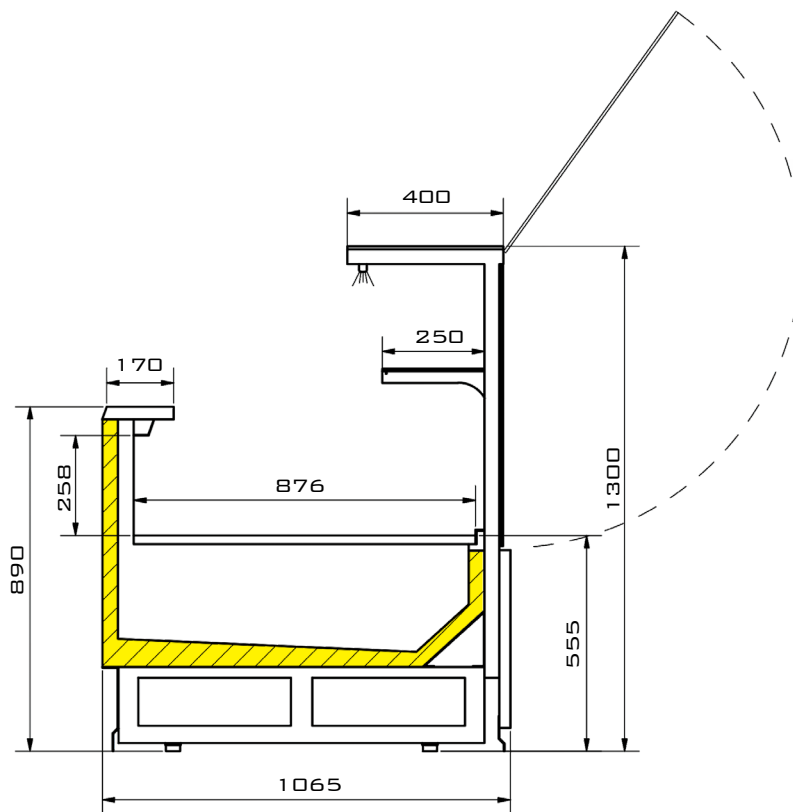
A ↑  
G ↓  
B

3750

1300

•  
•  
•  
•  
•  
•

A ↑  
G ↓  
B



# OFFENBACH

# HESSEN®

FRIGO SOPRING D.O.O.

CARA DUŠANA 88  
22313 VOJKA  
REPUBLIKA SRBIJA

+381 22 230 12 22

OFFICE@FRIGOSOPRING.RS  
WWW.FRIGOSOPRING.RS

mr-design.rs

Technical details could be changed without notice.